

## SWEEP AUGER

**ALTINBILEK Sweep Auger** ensures that granular raw materials such as wheat, corn, sunflower, canola, and paddy remaining in the areas close to the bottom after natural flow in the flat bottom silo are conveyed to the center flow-point without damage and quickly. It performs the discharge process by rotating 360° inside the silo. Its helical shaft is driven by the electric motor. The helical rotation movement and the movement of the auger's body inside the silo are driven by a single motor. The auger advances or stops depending on the bulk goods in the direction of its movement.

### FEATURES

- Half-moon Tube-type Body
- Medium, Heavy, and Ultra Heavy Service Structures
- Easy and Simple Installation
- Capacity Adjustment
- Movement Transmission System with Clutch Disc and Brake
- Rubber Coated Wheels
- Clutch and Anti-skid System
- Adjustable Drive Wheel compatible with the ground
- Adjustable Guide Wheels compatible with ground surface

### DRIVE SYSTEM

- Power Transmission with Belt-Pulley Connection (Standard)
- Reducer motor (Optional)
- Drive System in Under-silo Tunnel (Optional)

### ACCESSORIES

- Capacity Adjustment Flaps
- Guide Wheels
- Electric Conduction System (Optional)
- Articulates Shaft (Optional)
- Motorized Driver (Optional)

### SECURITY SYSTEM

- Housing for Rotating parts

- Location Sensor (Optional)

## TEKNİK ÖZELLİKLER

Machine	OTS150	ATS200	ATS250	UATS250	UATS300	UATS350
Maximum Capacity	45t/h	75t/h	100t/h	150t/h	200t/h	250t/h
Screw Leaf Diameter	150mm	200mm	250mm	250mm	300mm	350mm
Drive System	According to the application					
Driver System	Standard	Movement Transmission System with Clutch Disc and Brake (Heavy and Heavy Duty Service)				
		Steel Walker (Medium Service)				
	Optional	Reducer Motor				
Operating Conditions	-15°C ÷ 40°C ambient temperature					

Note: All capacities in the above table apply to 0,79 m<sup>3</sup> granular products

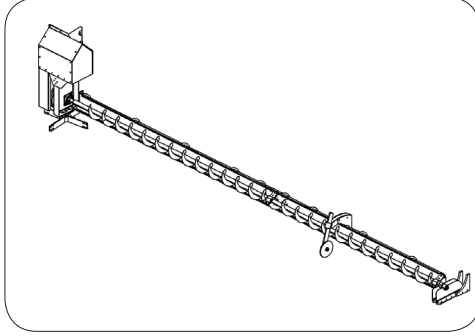
## MALZEMELER

Body	Standard	Painted (Carbon Steel)
	Optional	Galvanized Steel and Hot Dipped Galvanized Coating
Auger	Standard	Steel
	Optional	Stainless
Intermediate Bearing	Standard	>3m
	Optional	<3m
Step	Standard	Full Pitch
	Optional	Variable Pitch

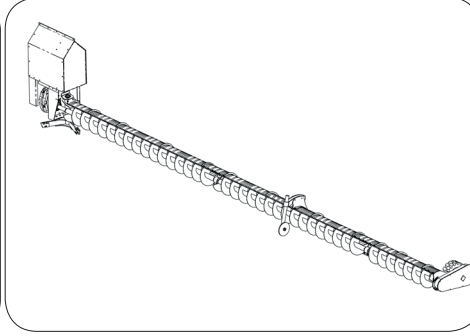


## SWEEP AUGER TYPES - DIMENSIONS

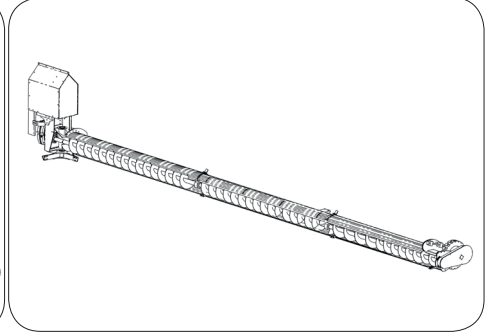
OTS (MEDIUM DUTY TYPE)



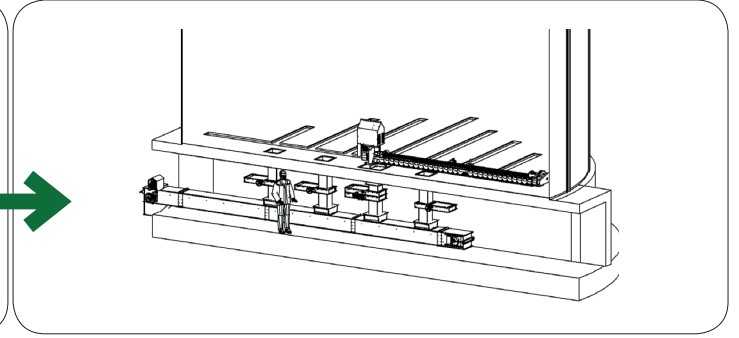
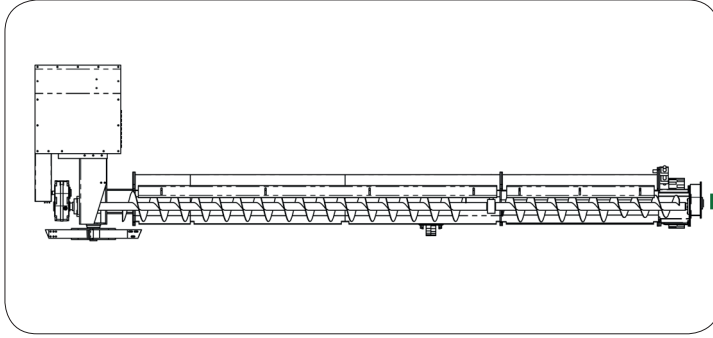
ATS (HEAVY DUTY TYPE)



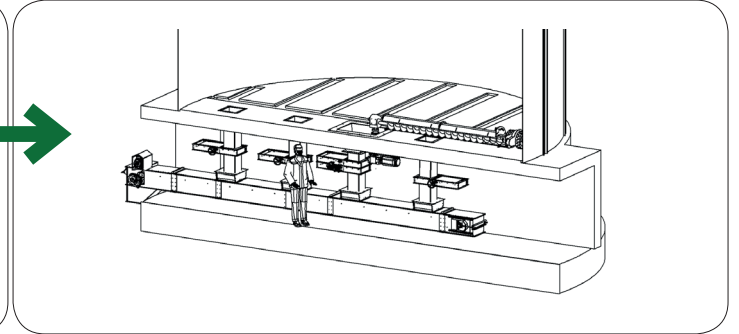
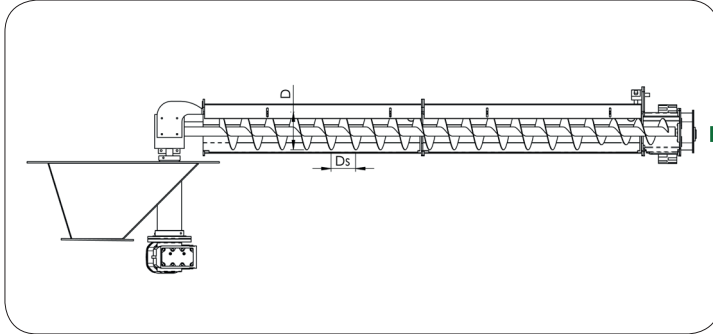
UATS (ULTRA HEAVY DUTY TYPE)



DRIVE SECTION INSIDE SILO



DRIVE SECTION UNDER SILO



MODEL	Screw Leaf Diameter D (mm)	Screw Leaf Pitch Ds (mm)	Maximum Capacity (t/h)	Electric Conduction System
OTS150	150	150	40	Optional
ATS200	200	200	75	Standard
ATS250	250	250	100	Standard
UATS250	250	250	150	Standard
UATS300	300	300	200	Standard
UATS350	350	350	250	Standard

Designs and dimensions are subject to change without notice.  
Applicable for granular products of 0,79 m<sup>3</sup>.